

1000VDC 10x38mm Photovoltaic Fuses KHV110.PV Series

Description 描述

- ▶ 1000Vdc Fuse for Solar Panel Applications
- ▶ 10x38mm physical size
- ▶ Designed to UI2579 and IEC60269-6
- ▶ Capable of interrupting low overcurrents associated with faulted PV
- ▶ Lead Free material



Specifications 電氣特性

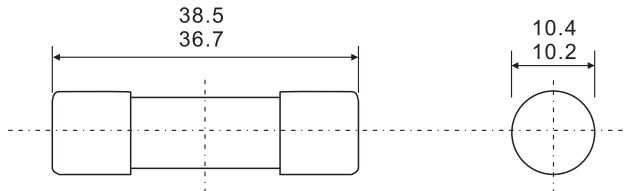
Specification							
Part No. 料號	Rated Voltage 額定電壓 (DC)	Rated Current 額定電流	Breaking Capacity 分斷能力 (VDC)	I ² t(A ² S)		Power Loss 額定功耗(W)	
				Pre-Arcing	Total at 1500V	0.8In	1.0In
KHV110.PV1A	1000V	1A	UL 10kA IEC 33kA Time Constant 1-3ms	0.15	0.4	0.8	1.5
KHV110.PV2A		2A		1.3	3.4	0.7	1.1
KHV110.PV3A		3A		4	12	0.8	1.3
KHV110.PV3.5A		3.5A		6.5	20	0.9	1.4
KHV110.PV4A		4A		10	28	1.1	1.4
KHV110.PV5A		5A		19	50	1.1	1.4
KHV110.PV6A		6A		32	93	1.2	1.8
KHV110.PV8A		8A		3.2	33	1.2	2.2
KHV110.PV10A		10A		30	70	1.3	2.3
KHV110.PV12A		12A		98	150	1.5	2.8
KHV110.PV15A		15A		149	230	1.8	3
KHV110.PV20A*		20A		229	330	2.4	3.6
KHV110.PV25A*		25A		411	500	2.6	3.7
KHV110.PV30A*		30A		858	950	3.4	4.9

- ▶ DC Cold Resistance are measured at <10% of rated current in ambient temperature of 25°C
- ▶ Typical Pre-arching I²t are measured at 10In Current
- ▶ Min. Interrupting Rating: 1.35 x In
- ▶ PV Fuse Coordination w/:Thin film cells and4",5"and 6" crystalline silicon cells.
- ▶ *:UL approval for 20-30A is pending

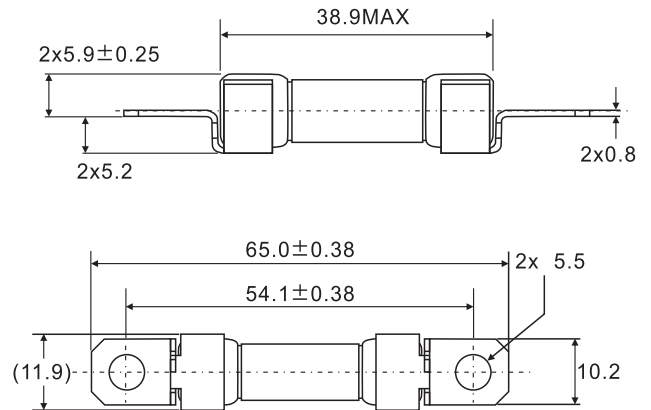
1000VDC 10x38mm Photovoltaic Fuses KHV110.PV Series

Dimension (mm)尺寸

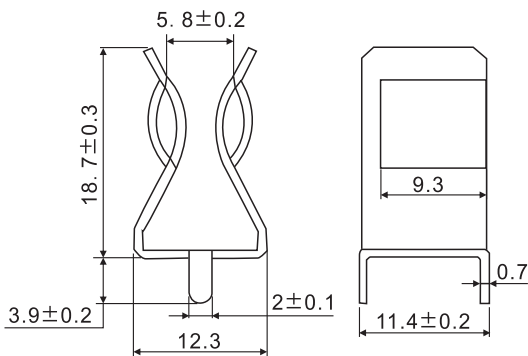
Standard cylindrical:



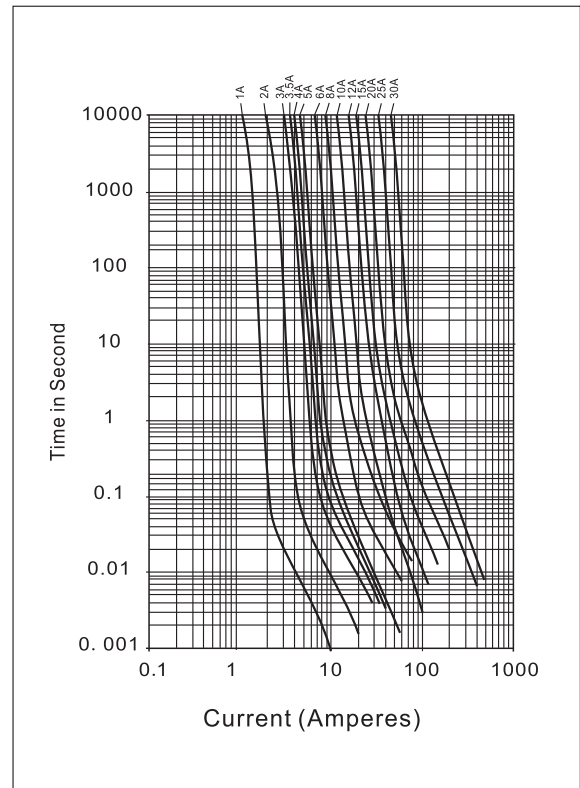
Bolt fixing:



Fuse clip for PCB mounting:



Time-Current Characteristics時間-電流曲綫



Ordering P/N:	AC-10B	AC-10P
Material:	Brass	Phosphorous bronze
Surface Plating:	Nickel	Bright Tin
Thickness:	0.8mm	